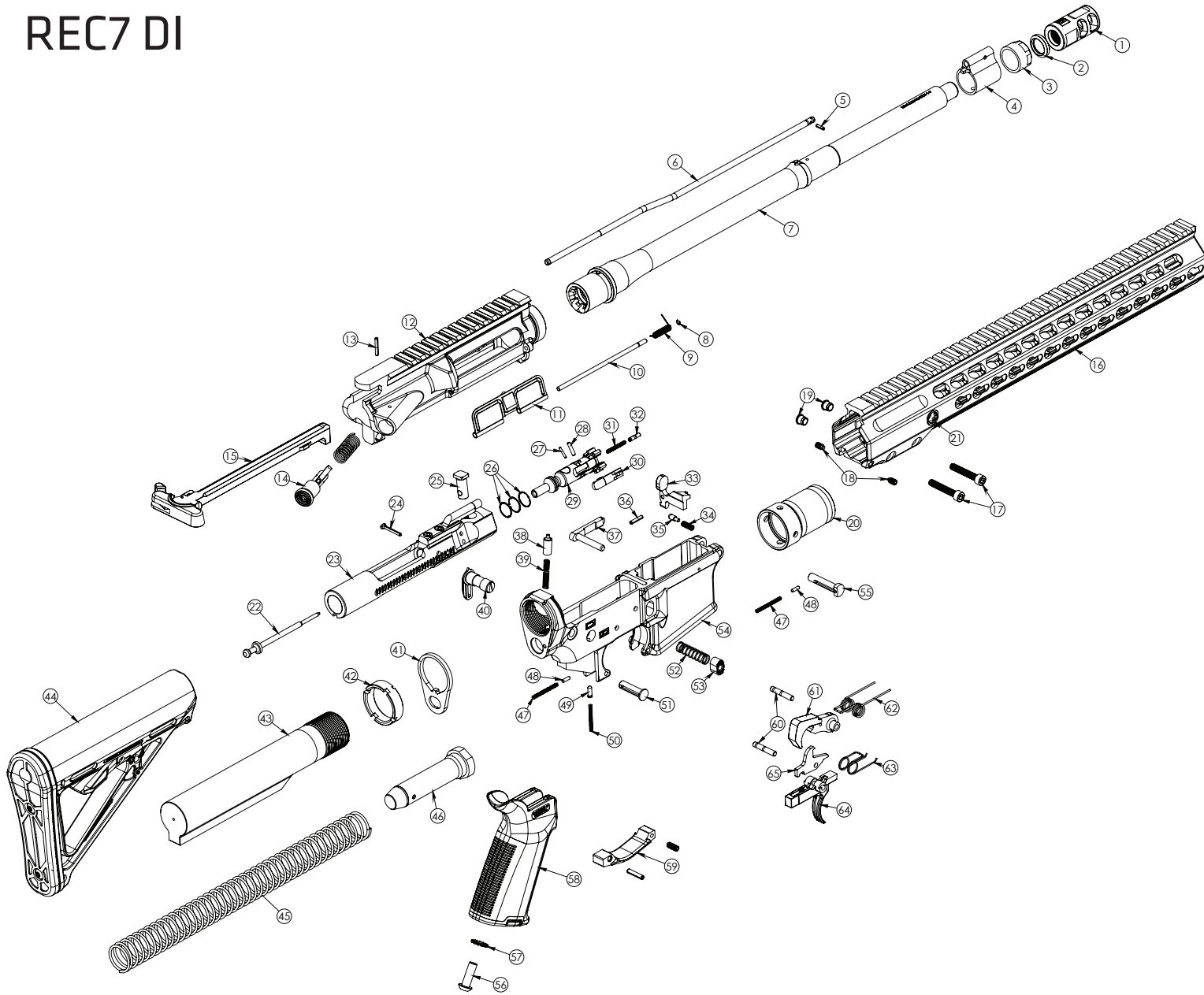




# REC7 DI



PART NO.	DESCRIPTION	QTY.
1	Muzzle Brake	1
2	Crush Washer	1
3	Gas Block Nut	1
4	Gas Block Nut	1
5	Gas Tube Retention Pin	1
6	Gas Tube	1
7	Barrel Complete	1
8	Retaining Clip	1
9	Ejection Port Door Spring	1
10	Ejection Port Door Pivot Pin	1
11	Ejection Port Door	1
12	Upper Receiver	1
13	Forward Assist Roll Pin	1
14	Forward Assist Assembly	1
15	Charging Handle	1
16	Handguard	1
17	Handguard Screw	2
18	Handguard Set Screws	2
19	Handguard Bushings	2
20	Barrel Nut	1
21	Handguard Bushing	2
22	Firing Pin	1
23	Bolt Carrier	1
24	Firing Pin Retention Pin	1
25	Cam Pin	1
26	Piston Ring	3
27	Ejector Pin	1
28	Extractor Pin	1
29	Bolt	1
30	Extractor	1
31	Ejector Spring	1
32	Ejector	1
33	Bolt Catch	1
34	Bolt Catch Spring	1
35	Bolt Catch Plunger	1
36	Bolt Catch Pin	1
37	Magazine Catch	1
38	Buffer Retainer	1
39	Buffer Retainer Spring	1
40	Safety	1
41	Receiver End Plate	1
42	Receiver Extension Nut	1
43	Receiver Extension	1
44	Buttstock	1
45	Buffer Spring	1
46	Buffer	1
47	Takedown Detent Spring	2
48	Takedown Detent	2
49	Safety Detent	1
50	Safety Detent Spring	1
51	Rear Takedown Pin	1
52	Magazine Catch Spring	1
53	Magazine Release Button	1
54	Lower Receiver	1
55	Front Takedown Pin	1
56	Pistol Grip Screw	1
57	Pistol Grip Washer	1
58	Pistol Grip	1
59	Trigger Guard	1
60	Trigger/Hammer Pin	2
61	Hammer	1
62	Hammer Spring	1
63	Trigger Spring	1
64	Trigger	1
65	Disconnecter	1