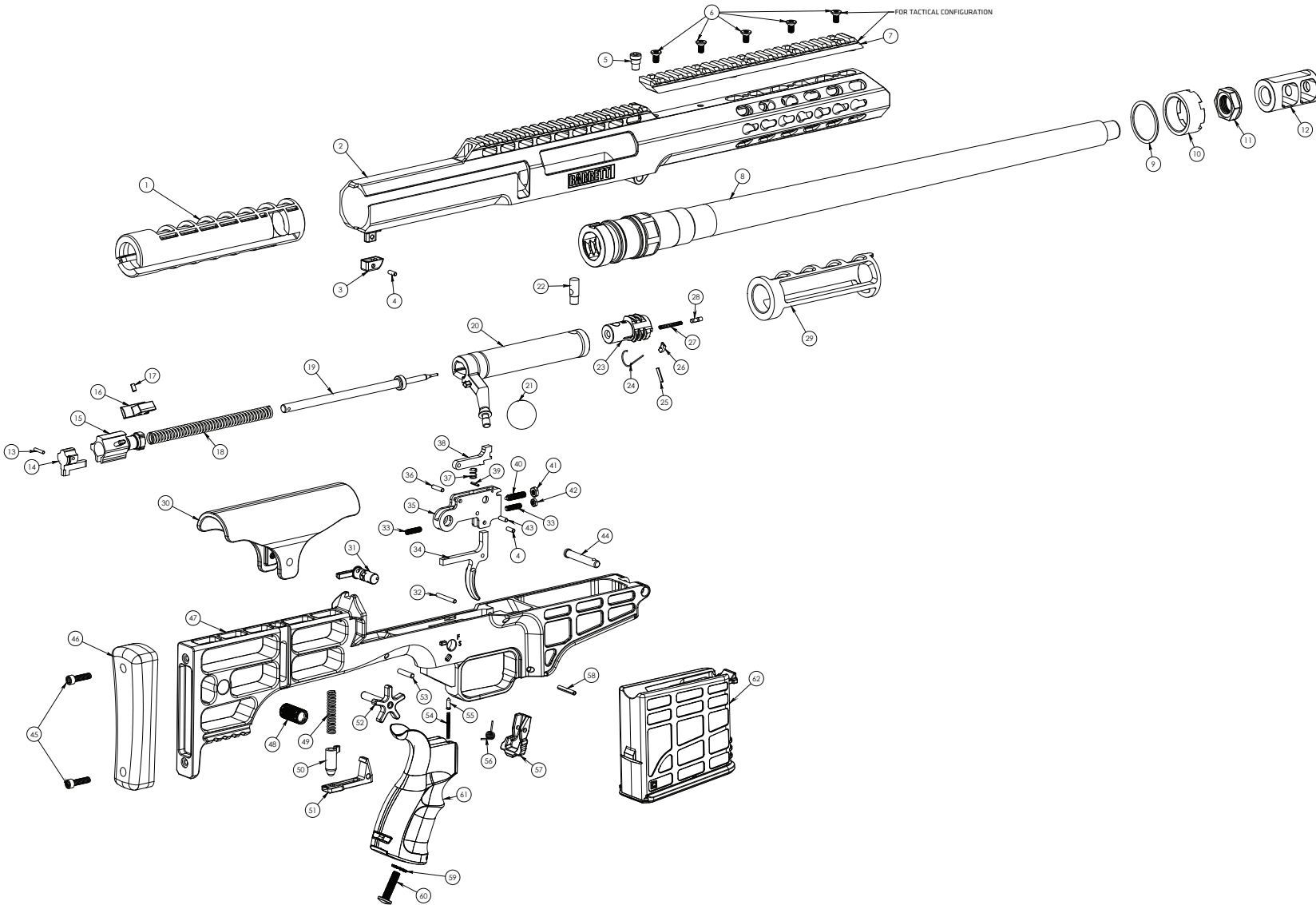




Model 98B



ITEM NO.	DESCRIPTION	QTY.
1	Rear Bolt Guide	1
2	Upper Receiver	1
3	Receiver Latch Seat	1
4	DP .125 x .365	2
5	Index Pin	1
6	Scope Base Screw (Optional)	5
7	Scope Base (Optional)	1
8	Barrel Complete	1
9	Barrel Washer	1
10	Barrel Nut	1
11	Muzzle Brake Nut	1
12	Muzzle Brake	1
13	DP .093 x .500	1
14	Cocking Piece	1
15	Cocking Piece Shroud	1
16	Bolt Stop	1
17	RP .125 x .250	1
18	Firing Pin Spring	1
19	Firing Pin	1
20	Bolt Carrier	1
21	Bolt Handle Knob	1
22	Bolt Pin	1
23	Bolt	1
24	Extractor Spring	1
25	RP .093 x .500	1
26	Extractor	1
27	Ejector Spring	1
28	Ejector	1
29	Front Bolt Guide	1
30	Cheek Piece	1
31	Safety	1
32	DP .125 x 1.00	1
33	SS 8-32 x .625	2
34	Trigger	1
35	Trigger Housing	1
36	DP .125 x .562	1
37	Sear Spring	1
38	Sear	1
39	RP .062 x .375	1
40	Trigger Weight Screw	1
41	Nut 10-32 x .312	1
42	Nut 8-32 x .25	1
43	RP .125 x .375	1
44	Front Assembly Pin	1
45	Recoil Pad Screw	2
46	Recoil Pad	1
47	Lower Receiver	1
48	Sling Bushing	1
49	Receiver Latch Spring	1
50	Receiver Safety Latch	1
51	Receiver Latch	1
52	Cheek Piece Lock Knob	1
53	DP .156 x .750	1
54	Safety Spring	1
55	Safety Detent	1
56	Magazine Catch Spring	1
57	Magazine Catch	1
58	RP .125 x .875	1
59	Lock Washer, Pistol Grip Screw	1
60	PHS .25-28 x 1.00	1
61	Pistol Grip	1
62	Magazine Assembly	1