



## **TABLE OF CONTENTS**

- 2 USE OF THIS MANUAL**
- 2 SAFETY GUIDELINES**
- 4 WARRANTY AND SERVICE**
- 5 CONTENTS**
- 5 PURPOSE OF BREECH CONVERSION KIT**
- 6 INSTRUCTIONS**

## USE OF THIS MANUAL

Read this manual before you use or manipulate your Barrett product. It is important that you understand the principles of safe gun handling in general and the features of this product. This manual is not a substitute for training from a qualified instructor. Important safety topics are discussed in this chapter and throughout this manual. This manual should remain with the product and it should be transferred with the product to subsequent owners. Additional manuals can be ordered from Barrett Firearms Manufacturing or can be downloaded from the company website, [barrett.net](http://barrett.net). Technical specifications are subject to change without notice. Please ensure you have the most updated revision of this manual by checking [barrett.net](http://barrett.net). The revision letter can be found on the back of this manual.

## SAFETY GUIDELINES



**FAILURE TO FOLLOW SAFETY GUIDELINES  
MAY CAUSE INJURY OR DEATH**

### AMMUNITION

Do not use hand loaded, re-manufactured, or surplus ammunition. Always use new, clean, dry, properly stored, and correct caliber ammunition from reputable manufacturers.

### SAFETY DISTANCE

Bullets fired from this rifle may travel as far as 4 miles. Make certain that you have an adequate backstop.

### HEARING PROTECTION

Always wear adequate hearing protection when the rifle is firing; wear both earplugs and shooting muffs together for maximum protection. This includes observers. Observers should always be behind the shooter.

### EYE PROTECTION

Appropriate eye protection should be worn when both shooting and maintaining your rifle. It is normal for firing to generate airborne dust and debris. Protect your eyes from solvents and uncaptured parts under spring pressure while performing maintenance on your rifle.

### MUZZLE CONTROL

Always keep the muzzle pointed in a safe direction. Never allow your muzzle to point at anything that you do not intend to shoot. Upon firing the muzzle brake releases high-pressure gas from its side ports that can damage objects or cause injuries, keep everything away from the vicinity of the muzzle brake.

### ASSUME EVERY GUN IS LOADED

Always treat every gun as if it were loaded. Look and feel for an empty chamber. Do not trust the extractor to provide an empty chamber.

### BEWARE OF BARREL OBSTRUCTIONS

Ensure the barrel's bore is free of obstructions before you fire your rifle. Even the smallest obstruction such as a stuck patch or even grease will cause increased pressures that can rupture the barrel.

### KEEP YOUR FINGER OFF THE TRIGGER

Keep your finger off the trigger and out of the trigger guard until your sights are aligned on your target and you intend to fire.

### KEEP YOUR SAFETY ON

Keep your safety on until your sights are aligned on your target and you intend to fire. Please note that the safety lever will not rotate into the "SAFE" position until the bolt is open or the action is cocked.

### FAILURE TO FIRE

If your rifle fails to fire when you pull the trigger, do not pull the charging handle. Keep the rifle pointed toward a safe area and wait 2 minutes. If a hang-fire (slow ignition) has occurred, the round will probably fire within two minutes. If the round does not fire, remove and inspect the cartridge. If the primer is indented properly, discard it in a safe manner.

### MAINTAIN YOUR RIFLE PROPERLY

Performing proper maintenance, as outlined in this manual, insures that your rifle will be safe to shoot and will perform to design specification for many years. Alterations, modifications or

adjustments may damage your rifle, make it unsafe to fire and will void warranty claims.

### STORE YOUR RIFLE SAFELY

It is your responsibility to take reasonable precaution to secure your rifle, keep it properly secured and prevent unauthorized use.

### ALCOHOL, MEDICATIONS AND DRUGS

Do not handle or operate your rifle under the influence of alcohol, medication or drugs.

### **WARRANTY AND SERVICE**

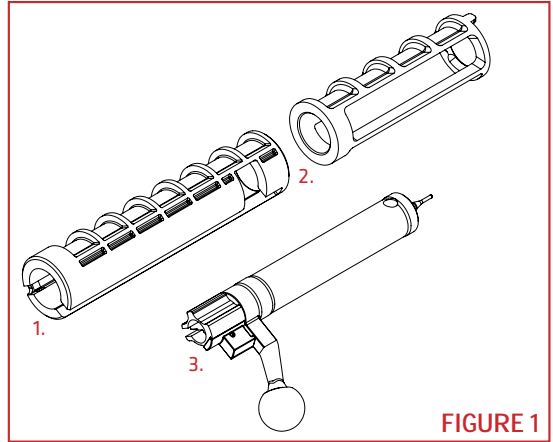
For one year from date of purchase, Barrett Firearms Manufacturing Inc. (BFMI), warrants to the original owner, that this product was manufactured free of defects in materials and workmanship. BFMI will correct any defect covered under the warranty by repair or replacement with the same or comparable model. BFMI will not be responsible for injury, death, or damage to property resulting from either intentional or accidental discharge of this firearm or from its function when used for purposes or subjected to treatment for which it was not designed. BFMI will not honor claims involving this product which result from careless or improper handling, unauthorized adjustment or parts replacement, corrosion, neglect, the use of the wrong caliber ammunition, or the use of other than commercially manufactured ammunition in good condition, or any combination thereof. Please visit **barrett.net** for any additional information.

If you need factory service, whether covered under warranty or not, please contact BFMI for instructions on how to have your rifle repaired.

**Barrett Firearms Manufacturing Inc.**  
**P.O. Box 1077**  
**Murfreesboro, TN 37133-1077**  
**615-896-2938**

**CONTENTS - FIGURE 1**

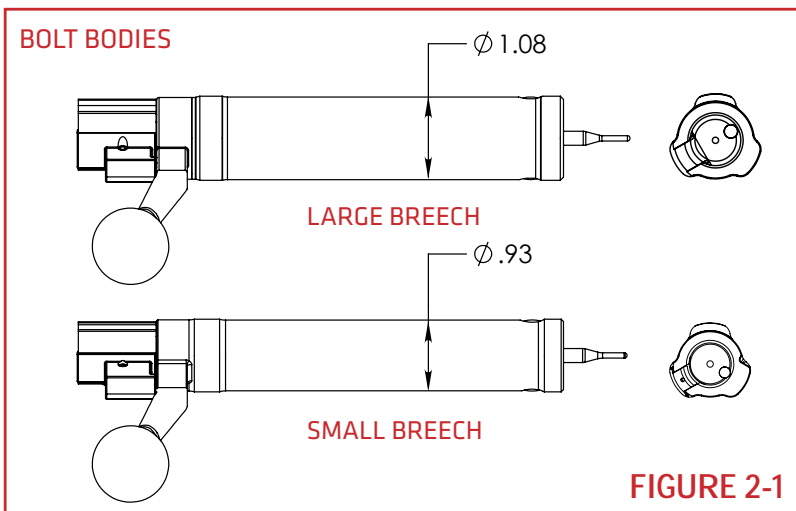
1. Front Bolt Guide
2. Rear Bolt Guide
3. Bolt Body

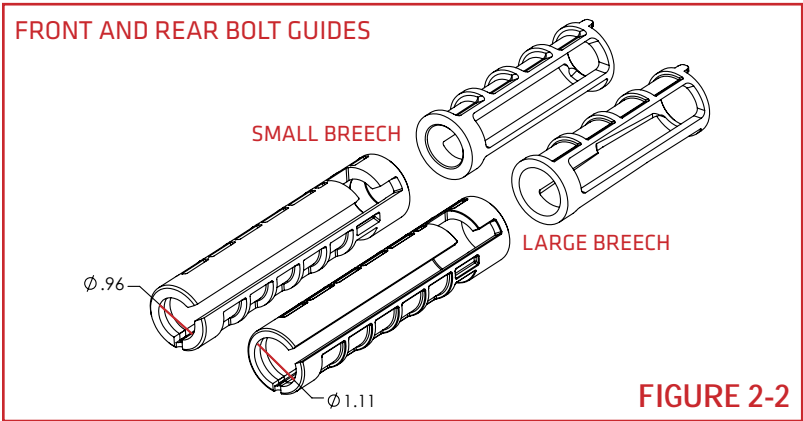
**FIGURE 1**

**NOTE: IF UNSURE OF BREECH SIZE, CALL CUSTOMER SERVICE TO CONFIRM BY SERIAL NUMBER**

**PURPOSE OF MRAD® BREECH CONVERSION KIT**

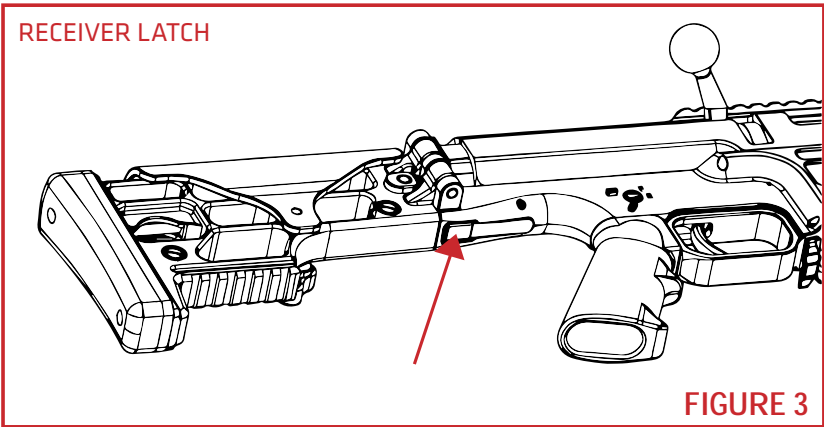
This breech conversion kit is to convert early “large breech” systems to the most current/latest small breech system that allows use of all current MRAD barrel conversion kits. See size differences between bolt assemblies (**FIGURE 2-1**) and bolt guide (**FIGURE 2-2**).

**FIGURE 2-1**



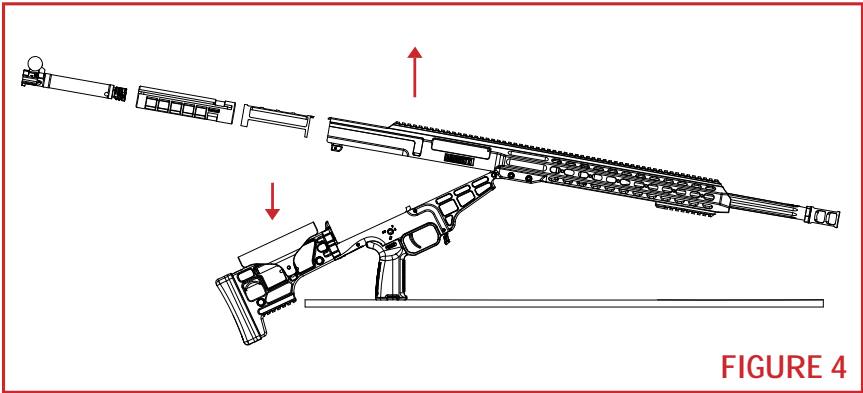
## INSTRUCTIONS

1. Lift the bolt handle then pull the bolt toward the rear of the rifle. Depress and hold the receiver latch, (FIGURE 3) located on the underside of the lower receiver just behind the pistol grip.

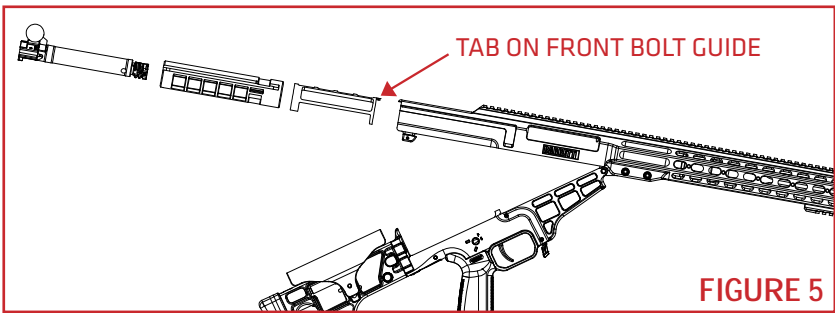


2. Pivot lower receiver away from upper (FIGURE 4). Remove the bolt assembly, rear bolt guide and front bolt guide from the upper receiver.

NOTE: THIS ASSEMBLY WILL NOT BE USED AFTER RIFLE IS CONVERTED TO THE SMALL BREECH SYSTEM.



3. Insert the **small breach** front and rear bolt guides from the small breach conversion kit into the upper receiver. Ensure the tab on the top of the front bolt guide inserts into corresponding slot on the top of the upper receiver (FIGURE 5).



4. Refer to barrel conversion kit and MRAD manuals for more detailed instructions regarding the bolt assembly.







P.O. Box 1077  
Murfreesboro, TN 37133 USA  
615.896.2938  
615.896.7313 fax  
barrett.net