

FIGURE 1: BORS Unit

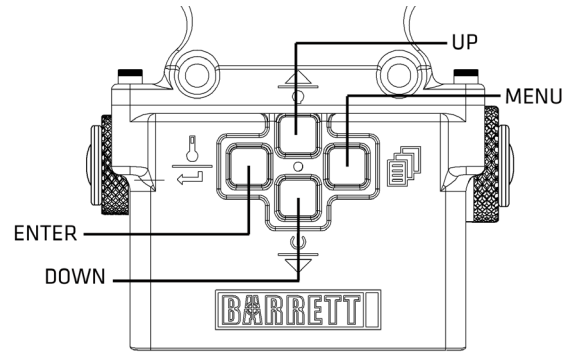


FIGURE 2: Keypad Functions

## 1. Program BORS

- Note the increment of your dial.
- Use Barrett Software to program BORS with correct default factory library for your rifle scope.
- Note: CCW = Counter clockwise CW = Clockwise

## 2. Calibrate BORS

- Press DOWN and hold to power up BORS and to display the Main Screen.
- Rotate the dial clockwise until it reaches the lowest point
- Press MENU to display the menu.
- Press UP to display "DEVICE SETTINGS."
- Press ENTER to select the menu item.
- Press UP to display "CALIBRATE DIAL."
- Press ENTER once to set bottom.
- Rotate the dial in the "UP" direction until it reaches the highest point, then press ENTER.
- Press and hold MENU for 3 seconds to exit.

## 3. Select a Cartridge

- With the Main Screen displayed, press MENU to view the menu.
- Press UP to display "CARTRIDGE INFORMATION."
- Press ENTER to select the menu item.
- Press DOWN to display "SELECT NEW" cartridge.
- Press DOWN or UP to scroll to the desired cartridge.
- Press ENTER to select the cartridge.

## 4. Zero Cartridge in BORS

- With the Main Screen displayed and after the rifle scope with BORS is zeroed, while holding the MENU button, press ENTER.
- Press ENTER to select "ZERO CART."
- Press ENTER to select "OK."

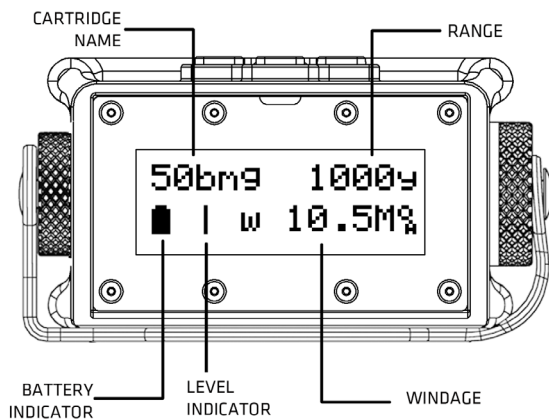


FIGURE 3: Main Screen

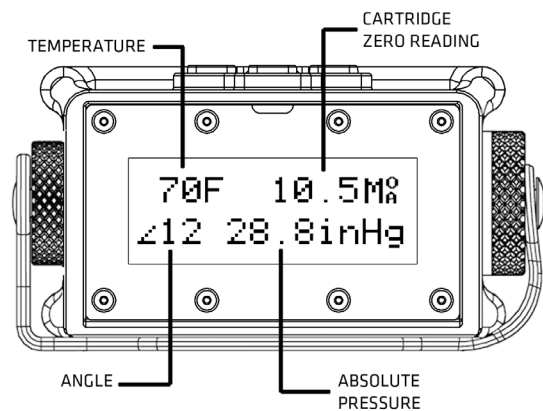


FIGURE 4: Shot Data Screen

**SLIPPING THE DIAL:**

- Shutdown BORS.
- Loosen top screw and then set screw on dial.
- Rotate dial until zero mark aligns with left or right housing mark. Note: Right-handed users typically use left side marking.
- Hand-tighten top flat head screw, then set screw. (Around 7-10 in/lbs.)
- Power on BORS.
- Confirm range display still reads 100 yds/m.
- If not, rezero cartridge in BORS (see Step 4 on reverse).

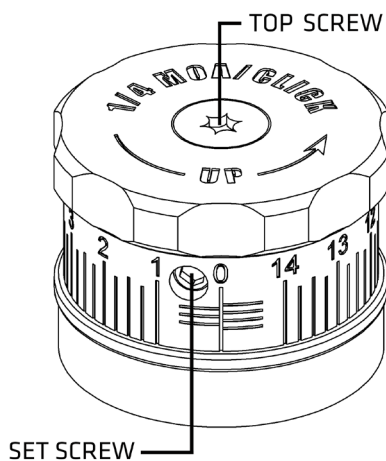


FIGURE 5: Dial Assembly

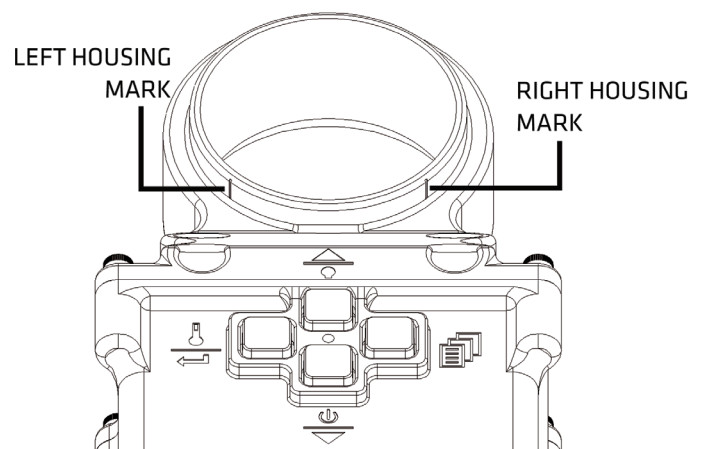


FIGURE 6: Housing Markings

**SHORTCUTS:**

- Zero Cartridge: Hold MENU and ENTER.
- Select Cartridge: Hold MENU and UP.
- Exit All: Hold MENU for 3 seconds.

To download the installation instructions for your scope, please visit [www.barrett.net/optics/bors](http://www.barrett.net/optics/bors) and click on the appropriate "Installation Instructions" under the "Downloads" section.

To download a complete BORS Operator's Manual, please visit [www.barrett.net/optics/bors](http://www.barrett.net/optics/bors) and click on "Operator's Manual" under the "Downloads" section.