

WARNING

MAKE CERTAIN THE FIREARM IS UNLOADED. REFER TO YOUR FIREARM'S OWNER'S MANUAL TO ENSURE THE FIREARM IS SAFE.

1. Remove the Schmidt & Bender elevation knob to expose the elevation adjustment post. Figure 1.

Caution

Do not attempt to rotate the riflescope's elevation knob past its designed mechanical limit.

2. Place the knob adaptor over the elevation post. Apply slight downward pressure to ensure that all set screws are seated below the outside diameter of the knob adaptor and tighten evenly to 12 in/lbs. Use Loctite® if desired. Figure 2.

Note

Ensure the ring clamp tightening nuts are on the left side during scope ring installation. See Figure 3 for proper clamp orientation. Do not attempt to remove the nut from the bolt.

3. Remove one of the scope ring caps and place the scope rings on the 1913 mounting rail eight slots apart with just the ring base towards the rear. From side view, four complete mounting ridges will be visible. Push and hold the scope ring toward the muzzle end and hand-tighten the clamp nuts on both rings ensuring a stable work platform (proper eye relief may be achieved later by moving the entire assembly). Figure 4.

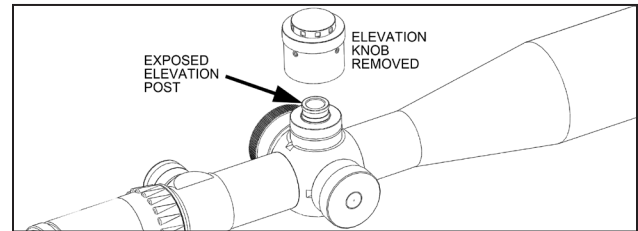


Figure 1.

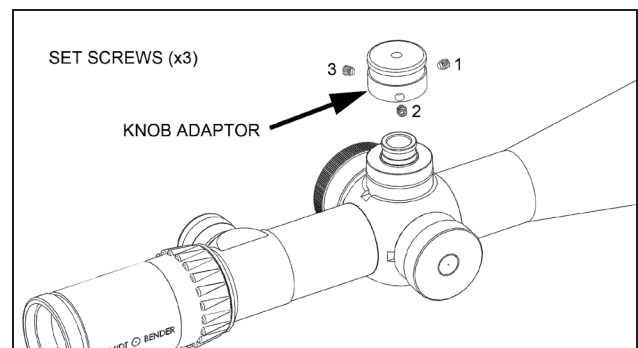


Figure 2.

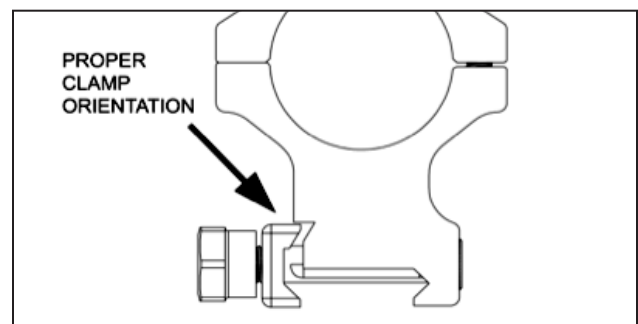


Figure 3.

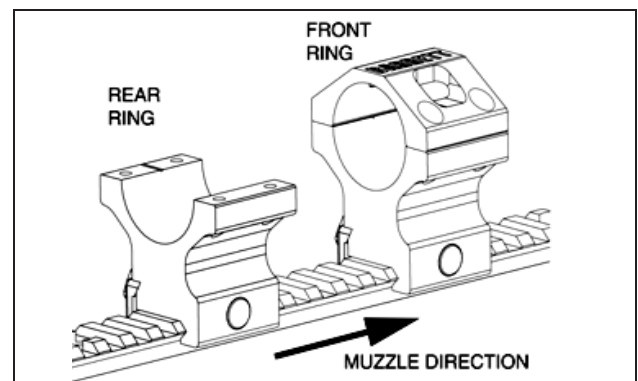


Figure 4.

Note

Some scope models may require different spacing between rings.

4. Use the front Scope Ring to hold the riflescope in the rings. Remove the front scope ring cap using the T-25 Torx wrench. Place the riflescope in lower rings, and start the threads of the cap screws (4) into the front lower ring. Tighten the indexed side only. The scope should still be able to move in the scope rings, loosen slightly if required. Figure 5.
5. Place the BORS unit on top of the rear scope ring. Start the four BORS mount screws (T-25 Torx® wrench), but do not tighten them. Figure 6.
6. Place the BORS elevation knob over the knob adapter. Ensure the knob is fully seated on the adapter then secure T25 knob screw to 15 in/lbs. and tighten the knob set screw to 12 in/lbs. Figure 7.

Caution

Do not overtighten set screw.

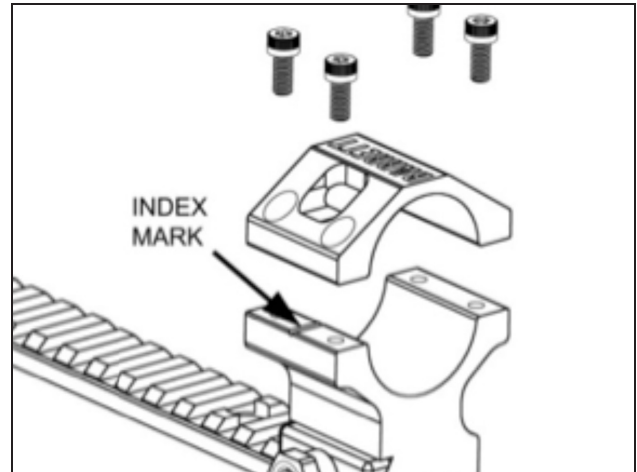


Figure 5.

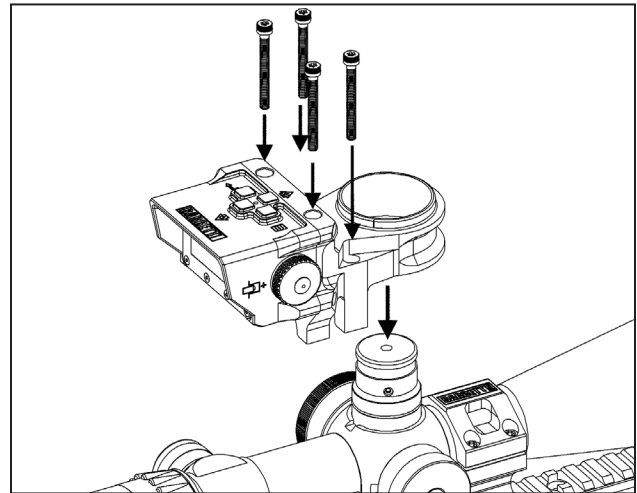


Figure 6.

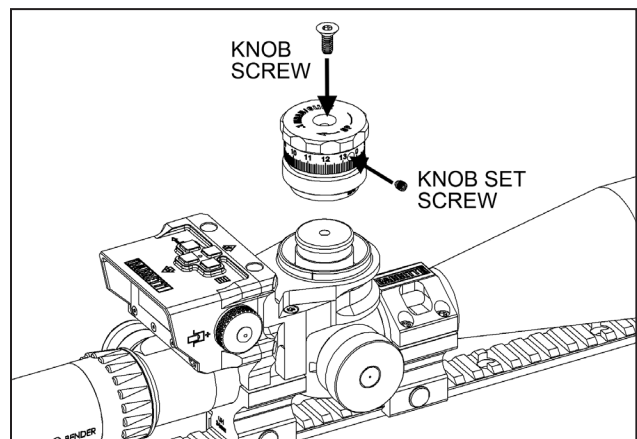


Figure 7.

7. Ensuring the elevation knob rotates freely, evenly tighten Mount Screws (T-25 Torx®) # 1 and # 2. Figure 8. There should be a gap between BORS and the scope ring bases. Figure 9.

Note

Rotating the elevation knob back and forth about one half revolution in each direction through the tightening process will improve the BORS knob alignment.

8. Tighten mount screws # 3 and # 4, and torque all four mount screws, in sequence # 1 to # 4, to 35in/lbs or 3.95Nm. Figure 8.
9. Verify the elevation knob does not bind through entire range of movement. If binding occurs, loosen mount screws and repeat Steps "7" through "8".

Caution

Do not attempt to rotate the elevation knob past its designed mechanical limit.

10. Torque the front cap screws, indexed side first, to 35in/lbs or 3.95Nm. Use Loctite® if desired.
11. To adjust for eye relief, loosen the clamp nuts and move the BORS and scope as a unit along the rail to the desired eye relief distance. Tighten the clamp nuts to 65in/lbs or 7.34Nm. Use Loctite® if desired.

Caution

Over-torquing the clamp nuts may damage the rail mount or scope ring bases.

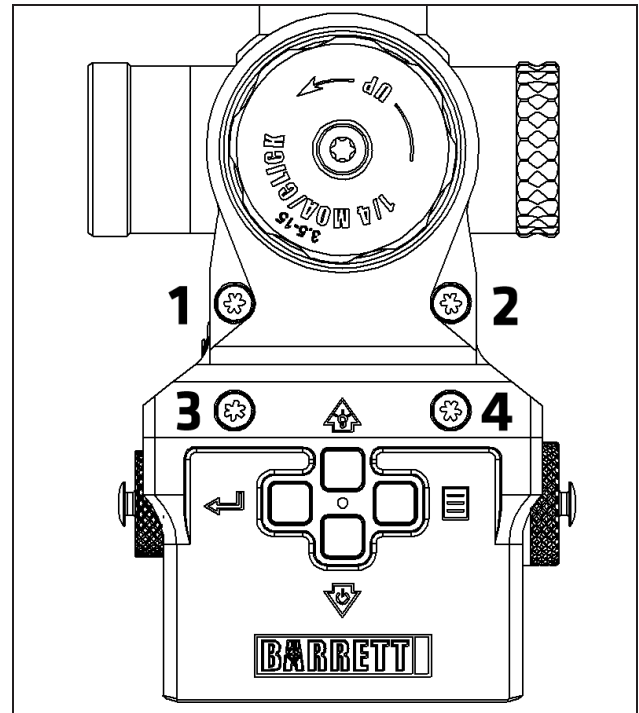


Figure 8.

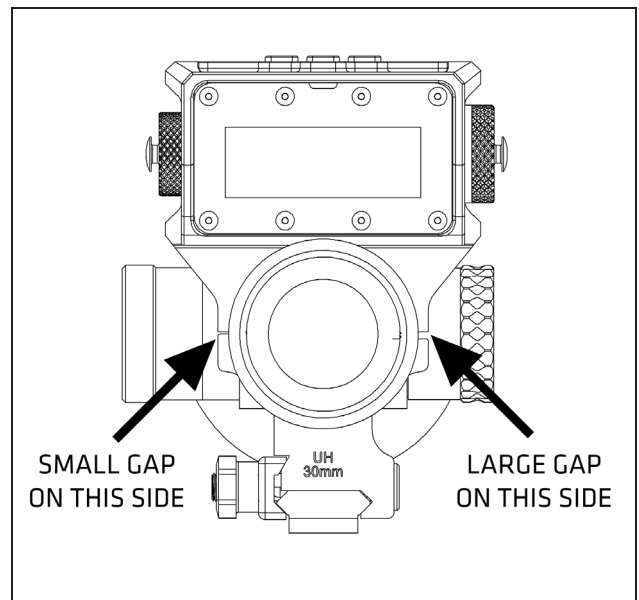


Figure 9.